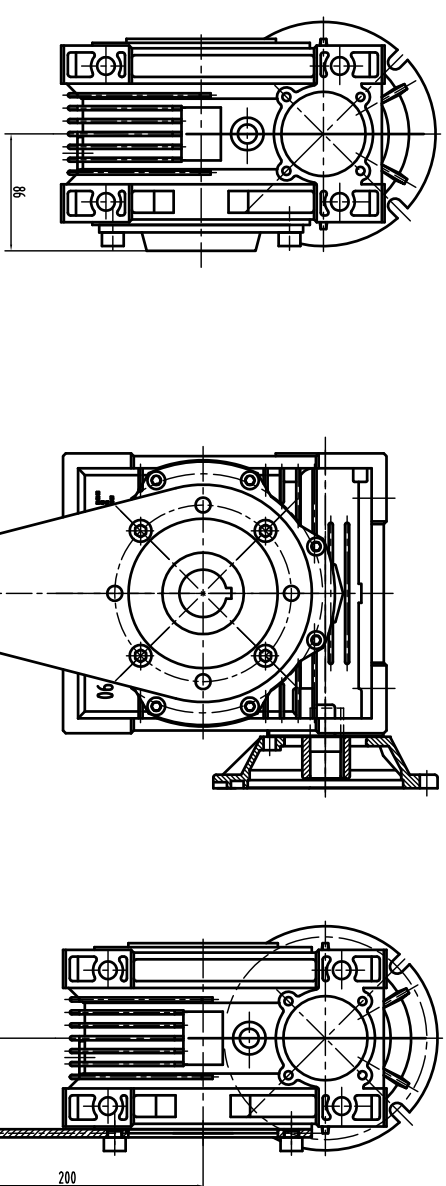
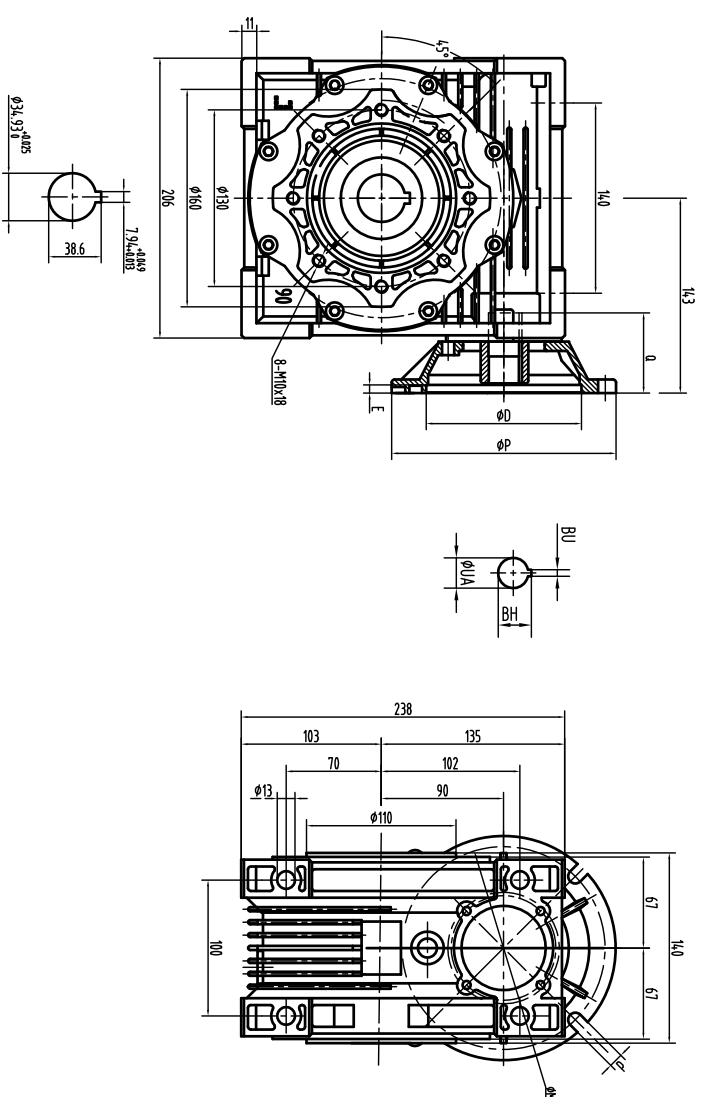


Motor flange mounting dimensions

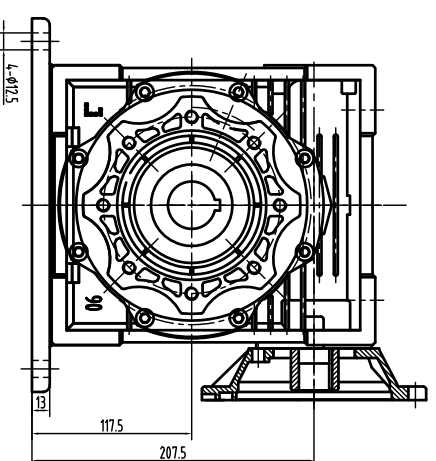
Dim	D	M	P	d	BH	BU	E	Q	The hole diameter of shaft UA												
									Ratio i												
Motor flange	56C	114.3	149.4	165.1	10.5	18.1	4.78	6	55	15.88											
	140TC	114.3	149.4	165.1	10.5	24.6	4.78	6	59	22.23											
180TC	130	165	200	13.7	31.5	6.35	6	76	28.58												

Output flange mounting dimensions

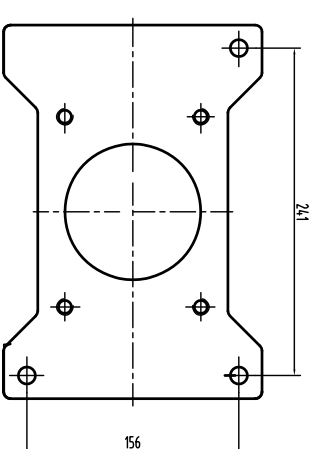
Dim	KA	KB	KC	KN	KM	KO	KP	KQ	KT	KW
Output flange										
FA	111	13	6	152	175	14	210	200	—	4.5°
FB	122	18	6	180	215	14	250	—	105	4.5°
FC	110	17	6	130	165	11	200	—	—	4.5°
FD	151	13	6	152	175	14	210	200	50	4.5°



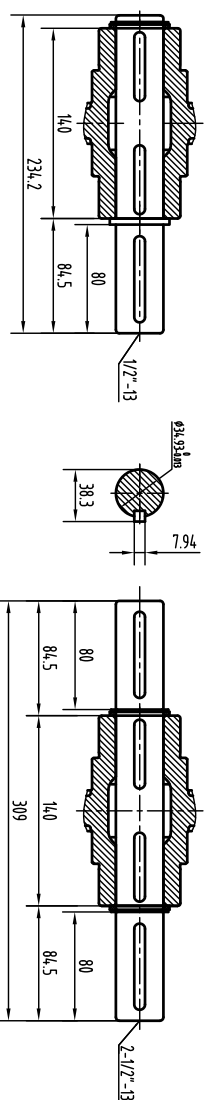
D-protective cover



E-torque arm

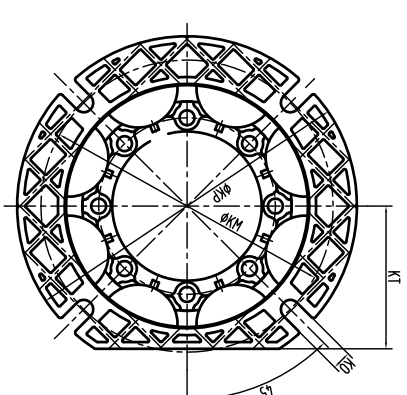
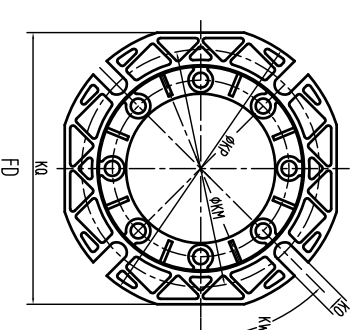
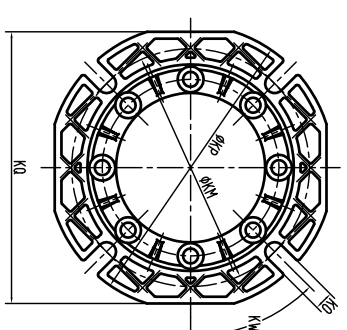
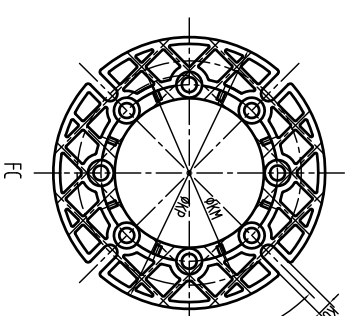
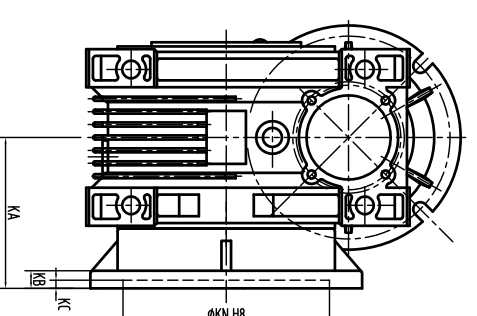


C-base plate



A-single output shaft

B-doubel output shaft



Output flange mounting dimensions

