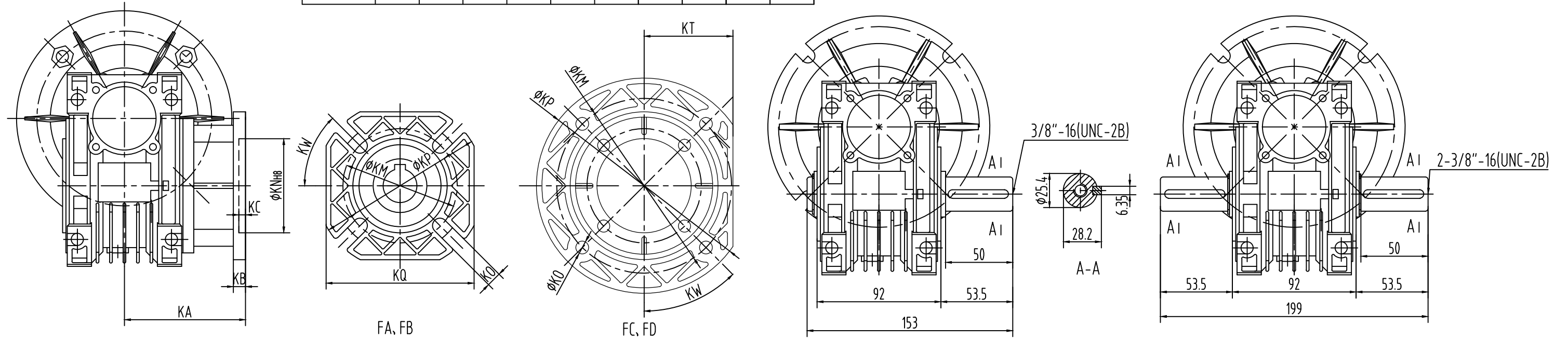


Output flange mounting dimensions

Dim	KA	KB	KC	KN	KM	KO	KP	KQ	KT	KW
Output flange										
FA	90	9	5	70	85	11	125	110	-	45°
FB	120	9	5	70	85	11	125	110	-	45°
FC	80	9.5	5	110	130	9.5	160	-	66	45°
FD	89	15	5	95	115	11	140	-	60	45°



Output flange mounting dimensions

A-single output shaft

B-double output shaft



Worm Gear