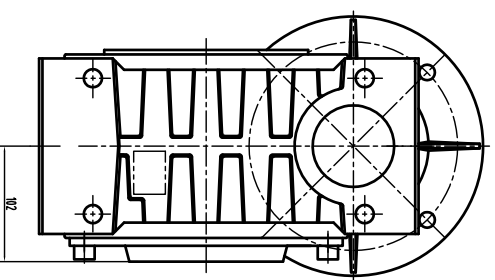
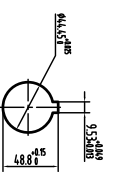
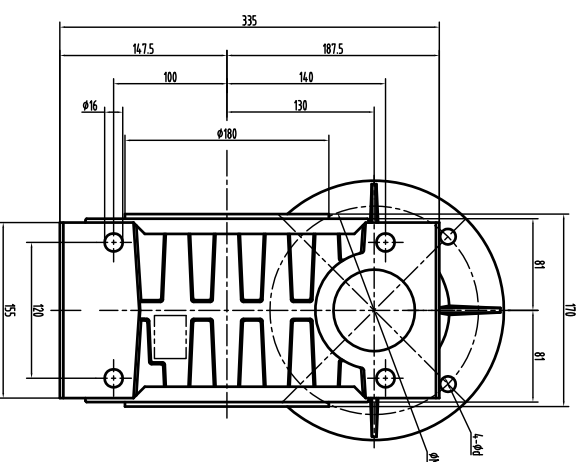
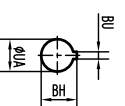
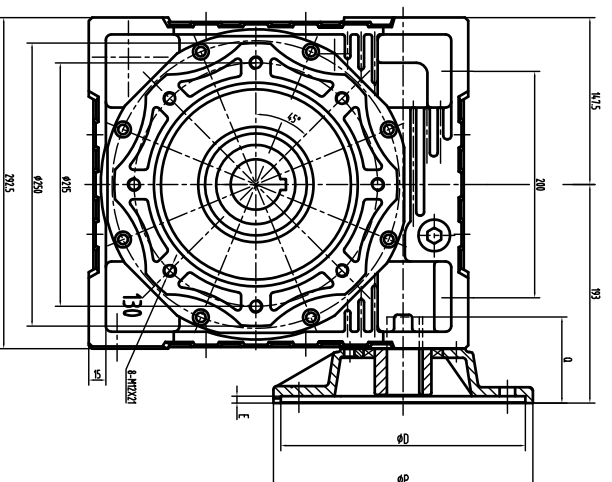
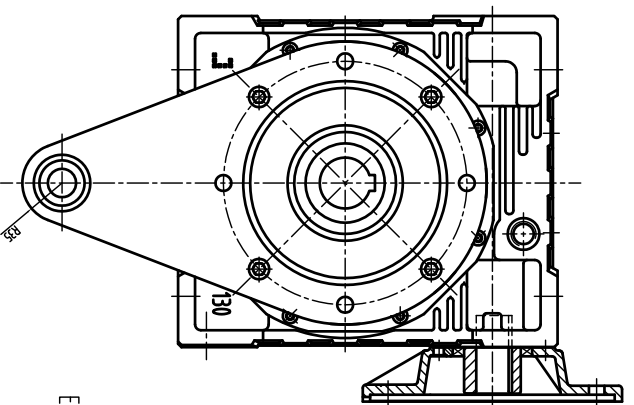


Motor flange mounting dimensions

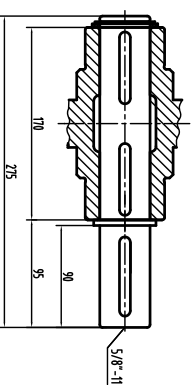
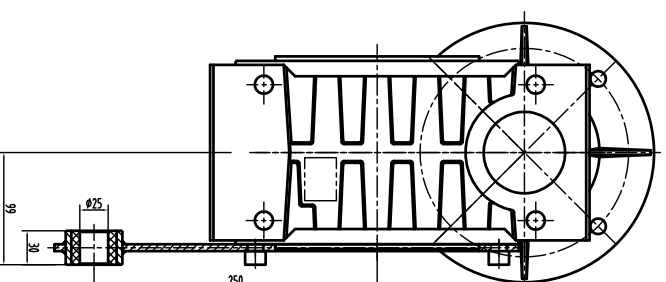
Dim / Motor flange	D	M	P	d	BH	BU	E	Q	The hole diameter of shaft UA										
									Ratio i										
									7.5	10	15	20	25	30	40	50	60	80	100
140TC	114.3	14.9.4	165	10.5	24.6	4.78	6	59	-	-	-	-	-	-	-	-	-	-	22.23
180TC	215.9	18.4.2	229	14	31.5	6.35	6	76	-	-	-	-	-	-	-	-	-	-	28.58
210TC	215.9	18.4.2	229	14	38.6	7.95	6	89	34.93										



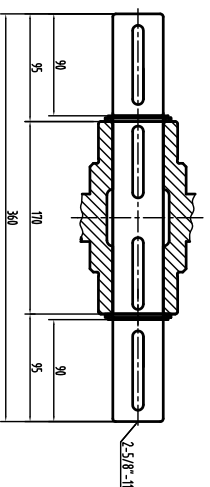
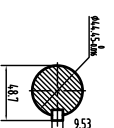
D-protective cover



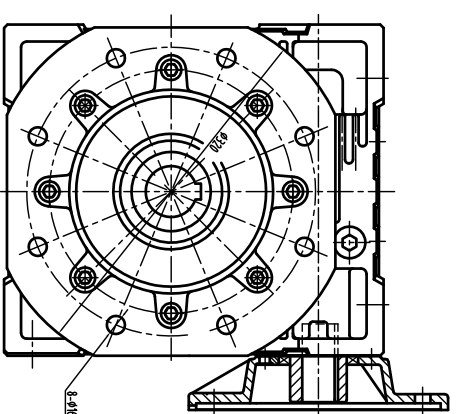
E-torque arm



A-single output shaft



B-double output shaft



Output flange mounting dimensions

