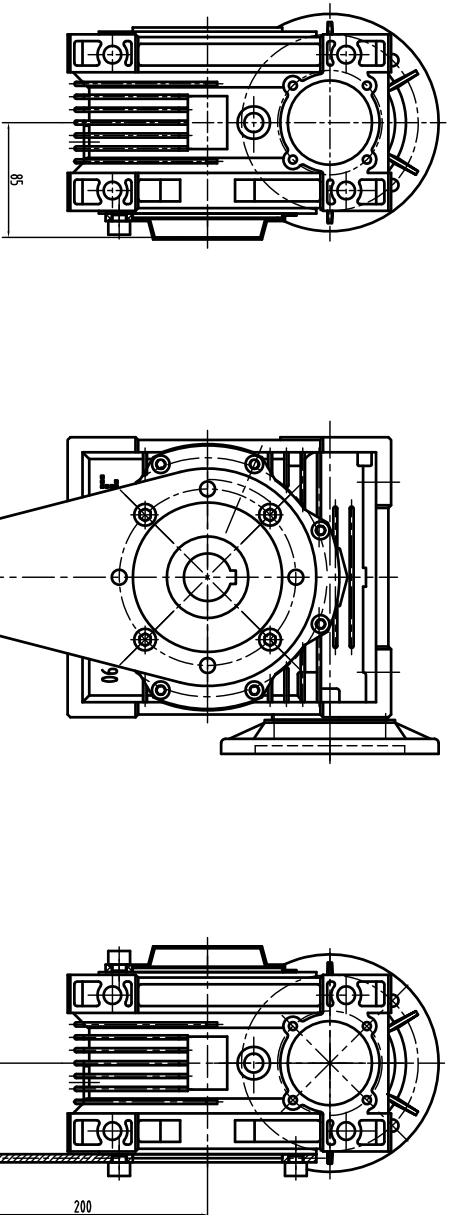
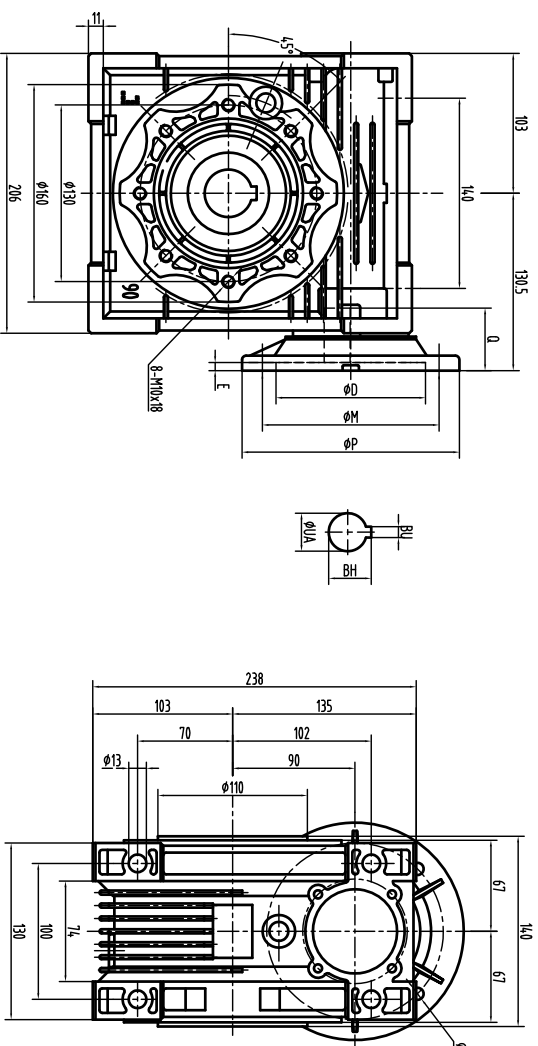


Motor flange mounting dimensions

Dim / Motor flange	D	M	P	d	BH	BU	E	Q	The hole diameter of shaft UA										
									Ratio i										
80B14	80	100	120	7	218	6	6	4.0	7.5	10	15	20	25	30	40	50	60	80	100
80B5	130	165	200	11	218	6	6	4.0	-	-	-	-	-	-	-	-	-	19	-
90B14	130	165	200	9	273	8	6	4.8	-	-	-	-	-	-	-	-	-	19	-
90B5	130	165	200	11	273	8	6	4.8	-	-	-	-	-	-	-	-	-	24	-
100/112B14	110	130	160	9	313	8	6	5.6	-	-	-	-	-	-	-	-	-	28	-
100/112B5	180	215	250	14	313	8	6	5.6	-	-	-	-	-	-	-	-	-	28	-

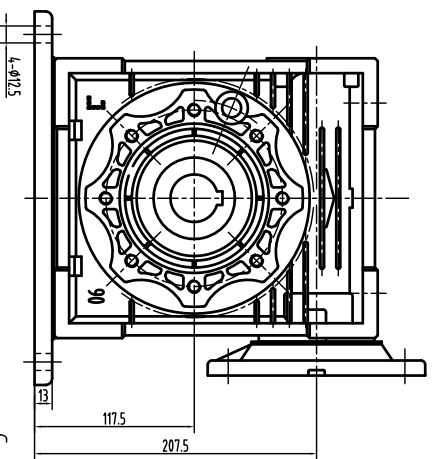
Output flange mounting dimensions

Dim / Output flange	KA	KB	KC	KN	KM	KO	KP	QK	KT	KW
FA	111	13	6	152	175	14	210	200	-	4.5°
FB	122	18	6	180	215	14	250	-	105	4.5°
FC	110	17	6	130	165	11	200	-	-	4.5°
FD	151	13	6	152	175	14	210	200	50	4.5°

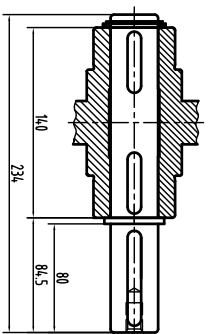
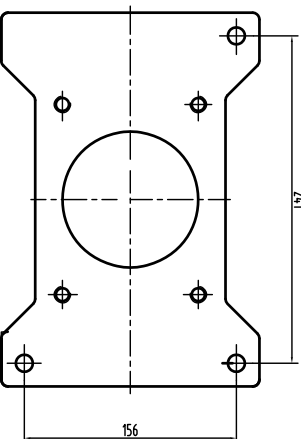


D-protective cover

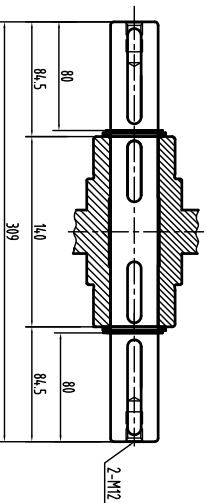
E-torque arm



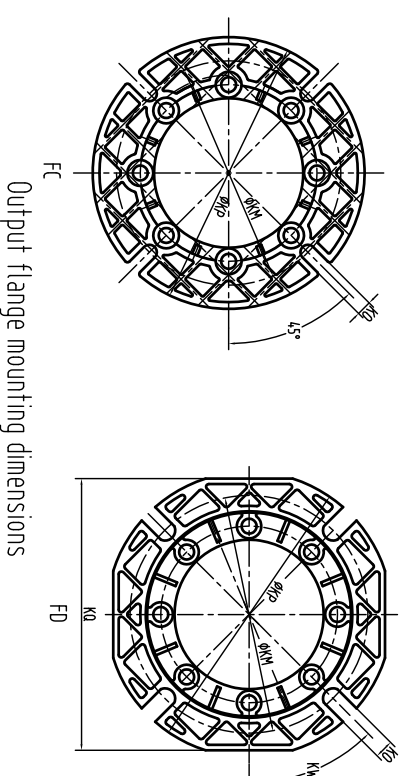
C-base plate



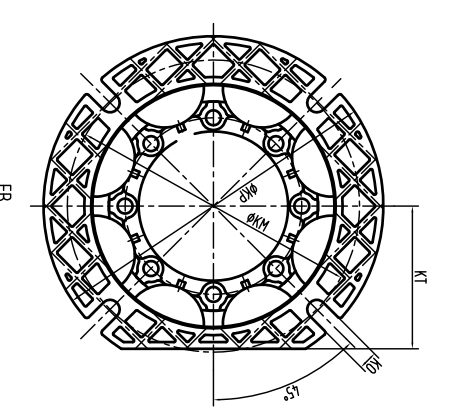
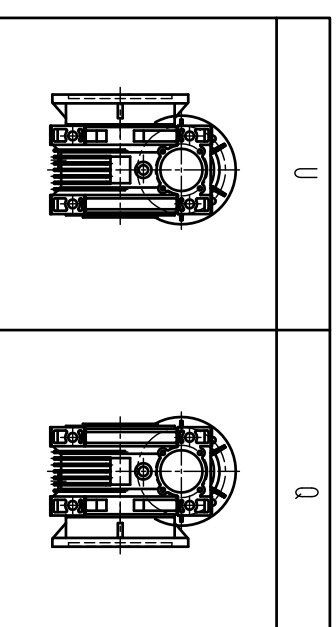
A-single output shaft



B-double output shaft



Output flange mounting dimensions



JM DRIVE

Worm Gear