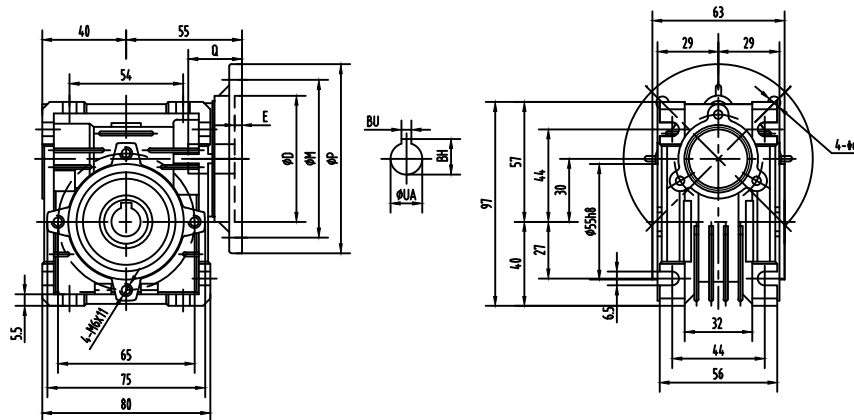
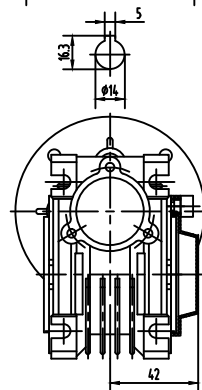


Motor flange mounting dimensions

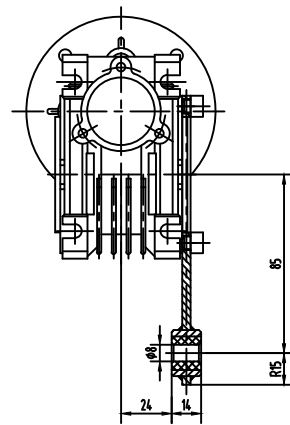
Dim	D	M	P	d	BH	BU	E	Q	The hole diameter of shaft UA										
									Ratio i										
									7.5	10	15	20	25	30	40	50	60	80	100
63B5	95	115	140	9	12.8	4	5	25	11						-	-	-		
63B14	60	75	90	6	10.4	3	4	23	9						-	-	-		
56B5	80	100	120	7															
56B14	50	65	80	6															



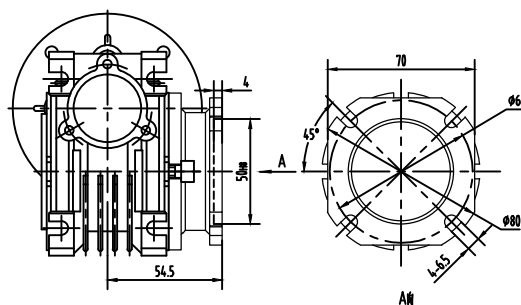
JRSTD Mounting Dimensions



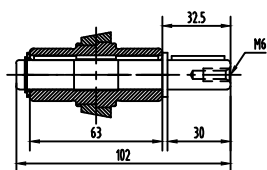
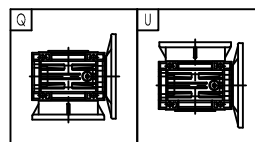
D-protective cover



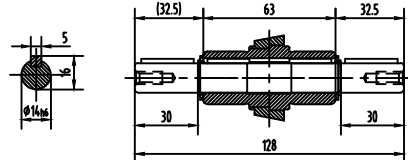
E-torque arm



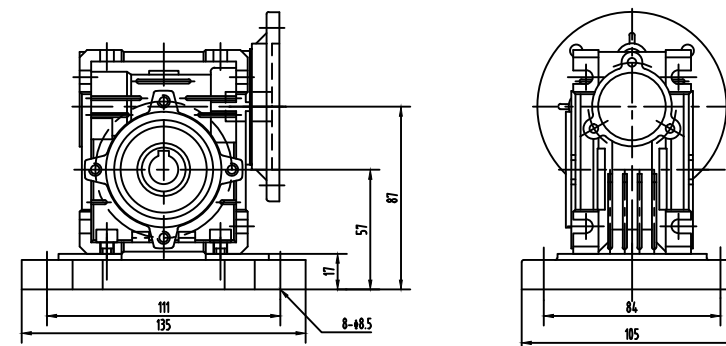
Output flange mounting dimensions



A-single output shaft



B-double output shaft



Base plate



Worm Gear