

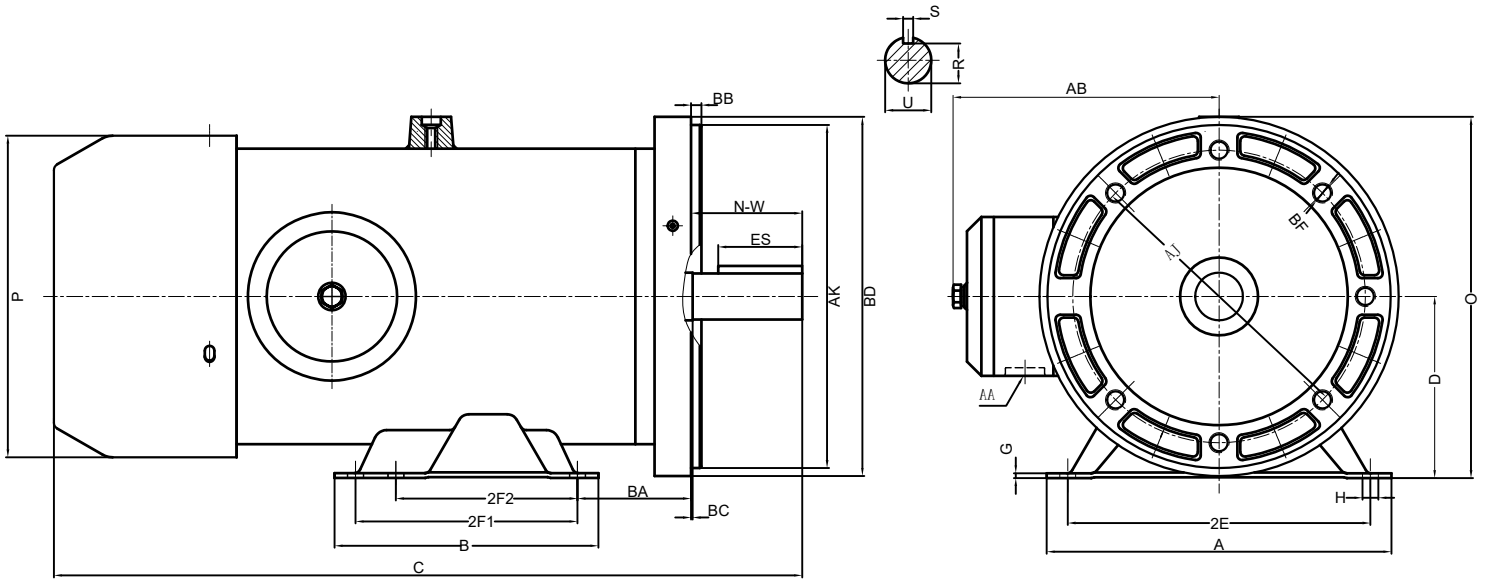


STAINLESS STEEL THREE PHASE MOTOR

JDESS5-18-184TC

Voltage <u>208-230/460</u>	Hz <u>60</u>	Shaft Material <u>304 Stainless Steel</u>	Design <u>B</u>
Phase <u>3</u>	Encl <u>TEFC</u>	Ambient <u>40°C</u>	Duty Cycle <u>S1</u>
IP <u>69</u>	KVA <u>J</u>	Altitude <u>3300FT</u>	Rotation <u>CW/CCW</u>
	Ins. Cl. <u>F</u>	Mounting <u>F1</u>	Inverter Duty <u>10:1 CT 20:1 VT</u>

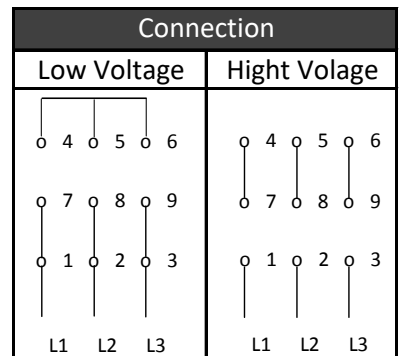
HP	RPM	S.F.	Frame	Amps 208-230/460 V		Locked Rotor Amps	No Load Current	Lead / Connect	Moment of Inertia	Temp. Rise, °C
5	1765	1.15	184TC	14.84-13.42/6.71		92/46	6.8/3.4	9 / Y	—	80
Bearing		Efficiency, %		Power Factor		Rated Torque, lb.ft.	Locked Rotor Torque, %	Breakdown Torque, %	Max Time Locked Rotor	Weight, lbs
DE	ODE	FL	3/4L	FL	3/4L					
6306ZZ	6306ZZ	89.6	90.1	0.8	0.72	14.89	160	300	16 SEC	91



Dimensions in inches

A	B	C	D	G	H	O	P	AB
8.54	6.54	17.72	4.5	0.12	0.41	8.95	8	6.34
R	S	AK	BD	BB	BC	AJ	AA	BF
0.986	0.25	8.5	8.9	0.25	0.12	7.25	1	1/2-13
SHAFT EXTENSION			MOUNTING					
N-W	U	ES	2E	2F1	2F2	BA		
2.75	1.125	1.78	7.5	5.5	4.5	3.5		

Rating for 50Hz Application	
HP	3.73
RPM	1460
Volt	200/400
S.F.	1.0



JIE USA, INC.
 493 Mission St. Carol Stream, IL 60188
 630-580-9986
 www.jie-drives.com