

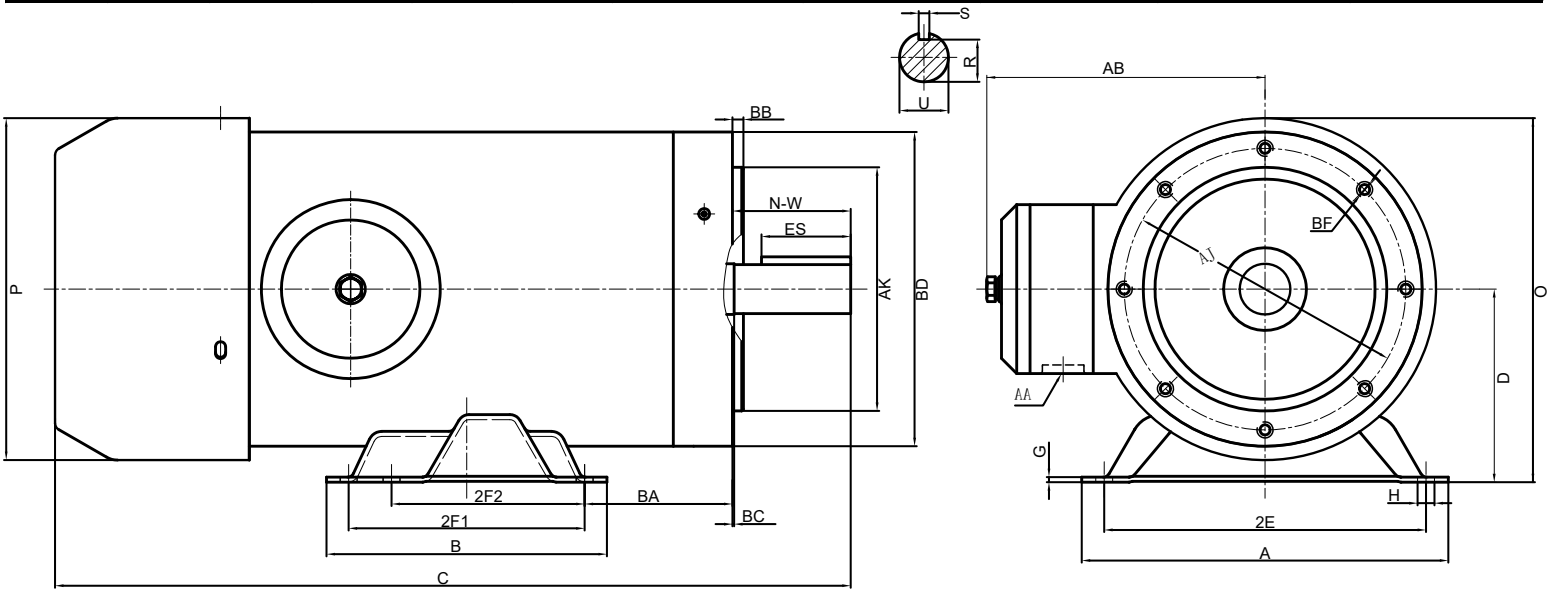


STAINLESS STEEL THREE PHASE MOTOR

JDESS 12-18-575-56C

| | | | |
|--------------------|-------------------|---|--------------------------------------|
| Voltage <u>575</u> | Hz <u>60</u> | Shaft Material <u>304 Stainless Steel</u> | Design <u>B</u> |
| Phase <u>3</u> | Encl <u>TEFC</u> | Ambient <u>40°C</u> | Duty Cycle <u>S1</u> |
| IP <u>69K</u> | KVA <u>K</u> | Altitude <u>3300FT</u> | Rotation <u>CW/CCW</u> |
| | Ins. Cl. <u>F</u> | Mounting <u>F1</u> | Inverter Duty <u>10:1 CT 20:1 VT</u> |

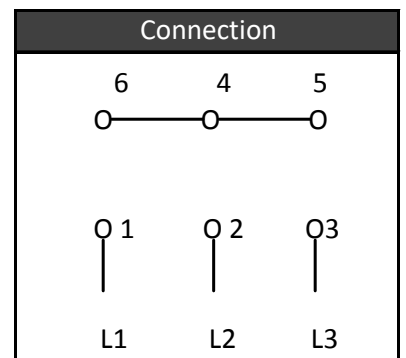
| HP | RPM | S.F. | Frame | Amps 575 V | | Locked Rotor Amps | No Load Current | Lead / Connect | Moment of Inertia | Temp. Rise, °C |
|---------|--------|---------------|-------|--------------|------|----------------------|------------------------|---------------------|-----------------------|----------------|
| 0.5 | 1780 | 1.15 | 56C | 0.72 | | 6.35 | 0.53 | 6 / Y | — | 80 |
| Bearing | | Efficiency, % | | Power Factor | | Rated Torque, lb.ft. | Locked Rotor Torque, % | Breakdown Torque, % | Max Time Locked Rotor | Weight, lbs |
| DE | ODE | FL | 3/4L | FL | 3/4L | | | | | |
| 6203ZZ | 6203ZZ | 79.0 | 77.0 | 0.62 | 0.52 | 1.49 | 308 | 401 | 16 Sec | 34 |



Dimensions in inches

| | | | | | | | | |
|-----------------|-------|-------|----------|------|------|-------|------|--------|
| A | B | C | D | G | H | O | P | AB |
| 6.5 | 3.94 | 10.76 | 3.5 | 0.12 | 0.34 | 6.73 | 6.46 | 5.93 |
| R | S | AK | BD | BB | BC | AJ | AA | BF |
| 0.517 | 0.188 | 4.5 | 6.46 | 0.16 | 0.12 | 5.875 | 3/4 | 3/8-16 |
| SHAFT EXTENSION | | | MOUNTING | | | | | |
| N-W | U | ES | 2E | 2F1 | 2F2 | BA | | |
| 1.88 | 0.625 | 1.41 | 5.5 | — | 3 | 2.75 | | |

| Rating for 50Hz Application | |
|-----------------------------|---------|
| HP | 0.37 |
| RPM | 1470 |
| Volt | 200/400 |
| S.F. | 1.0 |



JIE USA, INC.
 493 Mission St. Carol Stream, IL 60188
 630-580-9986
 www.jie-drives.com