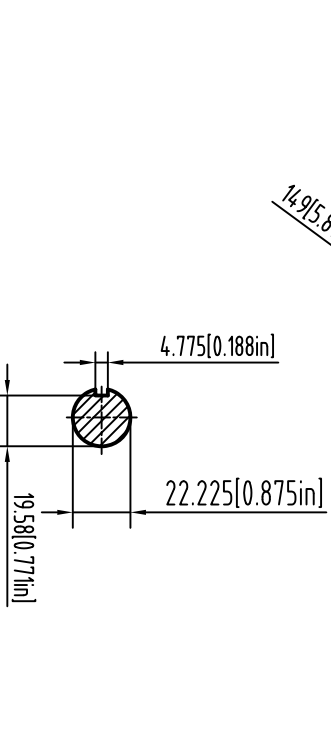
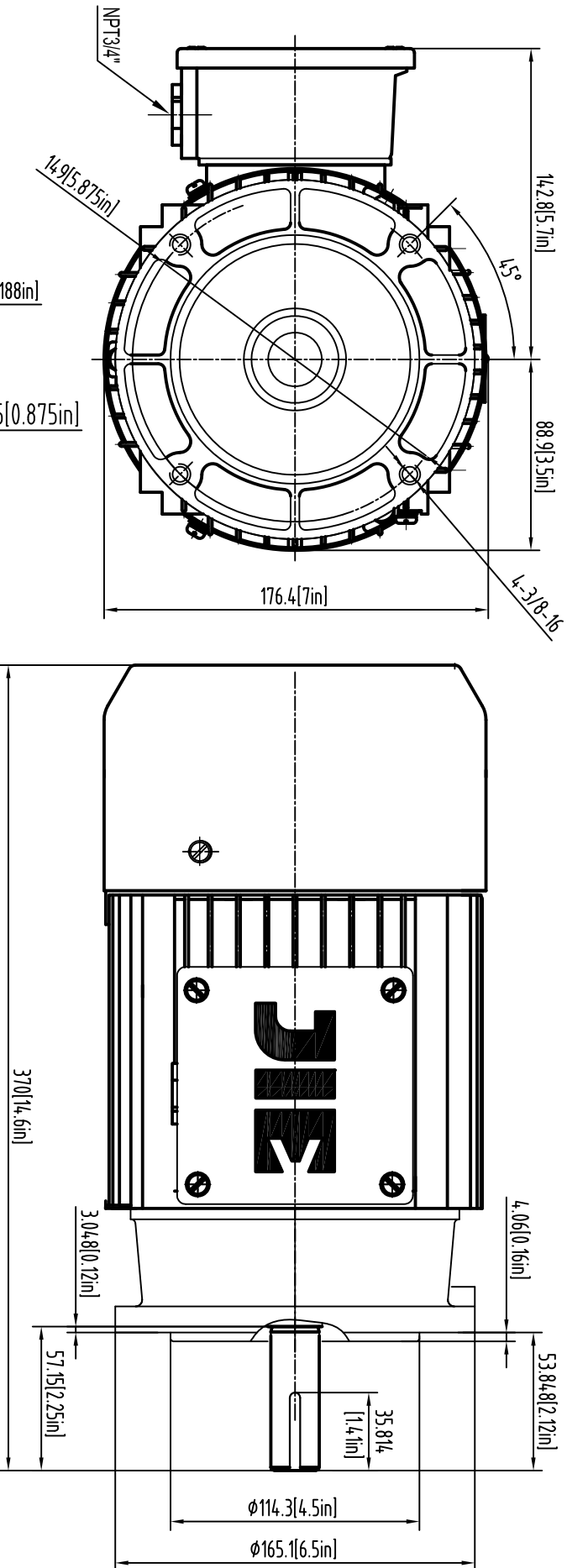


Model	JDL-14.5-4-15-T	
Pole	4	
Rated Power	1.1[kW]	1.5[HP]
Rated voltage[V]	230/460	
Frequency[Hz]	60	
Rated speed[rpm]	1735	
Rated current[A]	4.2/2.1	
Insulation class	F	
Protection class	IP55	
Duty cycle	Cont.	
Cooling	TEFC	
Weight	16.9[kg]	37.1[lb]



**JDL**  
**DRIVE**  
 NEMA Motor