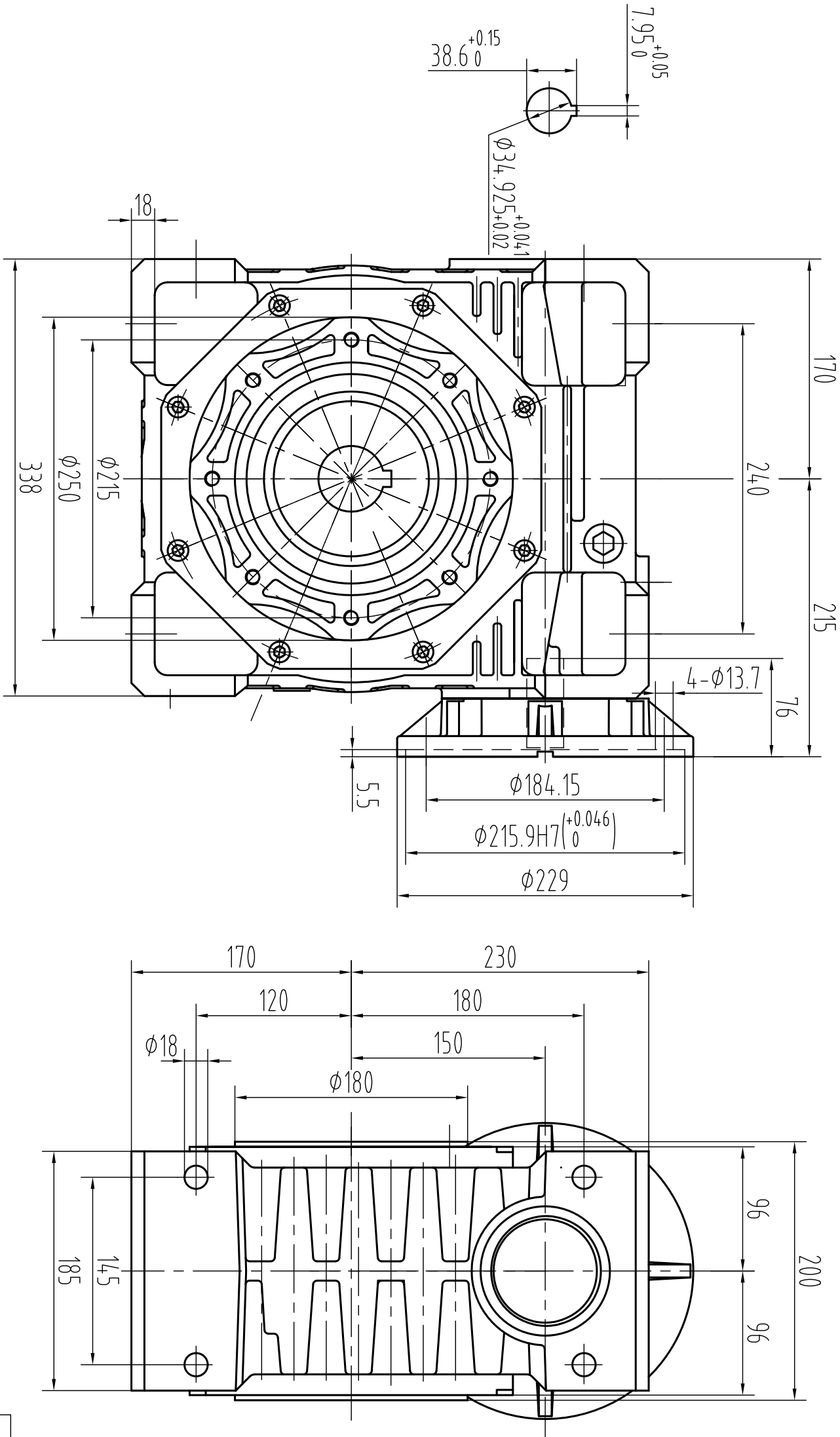



Model	JRWND150-210TC
Ratio	
Output torque[lbf • ft]	
Service factor	
Terminal box position	
Weight[lb]	≈ 185



Outline		 Worm Gear
Design	Feng Shufang	
Check	Lu Jianwei	
Standardized	Wu Zemin	
Approved	Lu Jianjiang	
DWG. No.	01	A84016-2020-08250021
Date	2020.08.26	