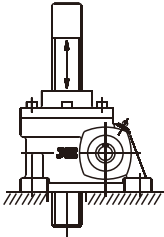
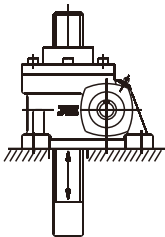
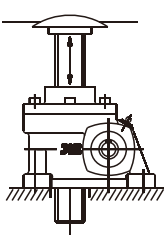
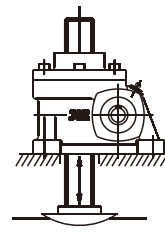
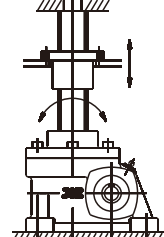
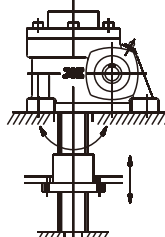


### 3.1 安装方式 Mounting Option



基本型 Basic Model		止旋构造型 Screw fluctuate without rotation		活动螺母构造型 Screw rotate without fluctuate	
A	B	C	D	E	F
					

说明：

- 1、基本形式：螺母(蜗轮)转动丝杆上下移动，此为普通型升降机安装方式。  
※注意：丝杆在升降时，会产生旋转力，所以必须做好防止旋转的措施。
- 2、止旋构造型：适用于顶端无连接下运转等各种不能实现防止旋转的场合。
- 3、若想在有限的空间增长行程，可选用活动螺母(由用户自行设计制造配丝杆)构造型。此构造为丝杆旋转，活动螺母移动。若行程较长时，轴端应采用支撑方式，可得到很好的传动效果。

Explanation:

Basic Model: Screw fluctuate with rotation. This is the installation for basic screw lifter.

※ Notice: There will be rotation force when screw is ascending and decending. So it's need to prevent rotation.

Screw fluctuate without rotation:work under the situation (without connection on the top, etc.) Which can't prevent from rotating.

Screw rotate with travelling nut : This type is suitable for narrow space . If it has long stroke , shaft end should be supported for better transmission .